



**SPIERINGS**  
**MOBILE CRANES**

**Make: SPIERINGS**

**Type: SK498-AT4**

**Crane specification**

Serial Number **498xxx**  
Year of Construction **2009**

Crane group : 3 as per NEN 2018  
Loadspectrum : 2 as per NEN 2018  
Classification : A as per NEN 2018  
Stability : as per NEN 2022

Max. load	Max. radius with max. load	Max. capacity	Max. jib length
<b>8,0 tonne</b>	<b>12,85 m</b>	<b>103 tm</b>	<b>44 m</b>

**Speed** Jib horizontal / jib 30° luffed

m/min	kg	Diagram	Notes
18	8000		0 - 70 m/min
27	4000		0-0,9 rpm
40	2000		
60	0		

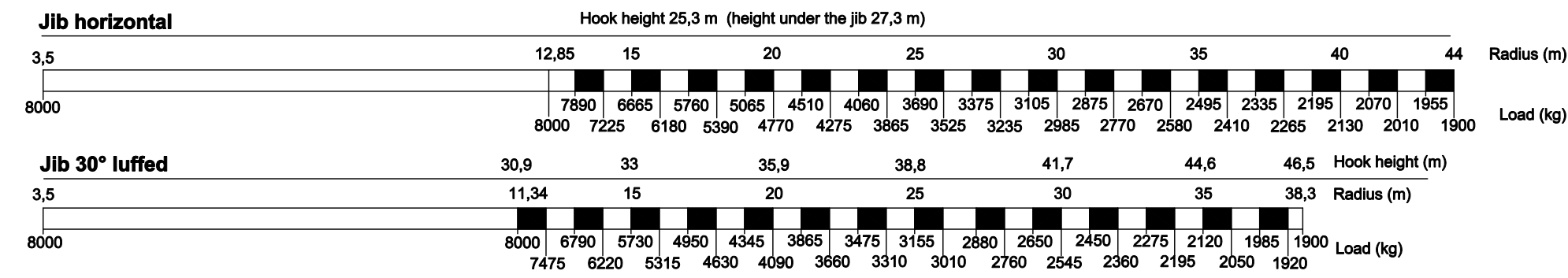
All motions with hydraulic proportional controls.  
Luffing the jib 30° can be controlled from crane cab or by remote control.  
The crane should be folded in at wind force 9 (Bf) (21 m/sec) or when not in use for a longer period.

Counterweight crane: 9500 kg.  
Continues slewing (360°) with outriggers out and support pads down.  
Crane can be driven in its erected position under special conditions (refer user guide).

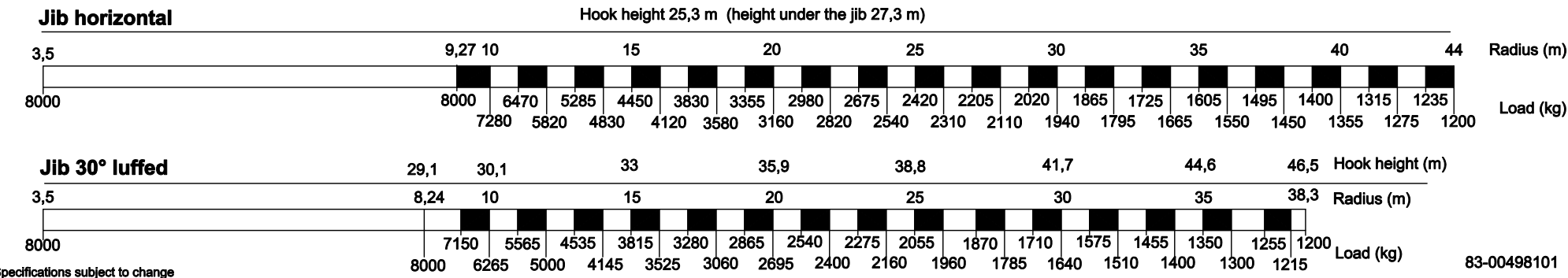
Rated lift capacity is net capacity. Always two parts of line.  
Max. line pull force: 4000 kg.  
Operating temperature range from: -15°C till + 40°C.  
Sail area of the load max.: 1,0 m²/ ton.

Outrigger positioned according to lifting chart  
Outrigger support base : **6,925 m x 6,85 m**.  
Operation allowed up to wind force 8 Bf (17 m/sec).  
Outrigger support base : **6,925 m x 5,15 m**.  
Operation allowed up to wind force 8 Bf (17 m/sec).  
**Max. outrigger force: 360 kN.**

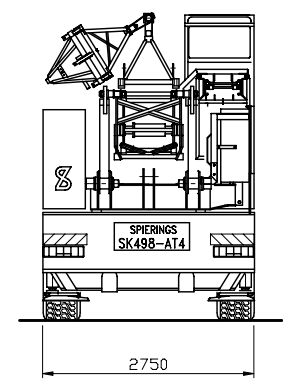
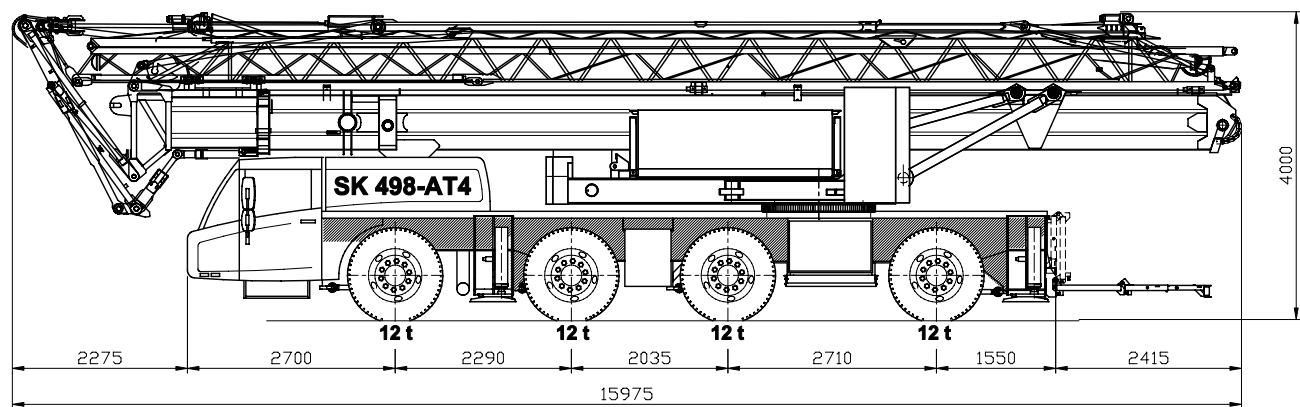
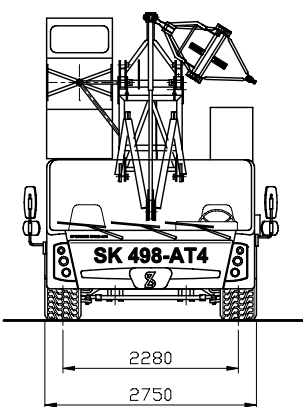
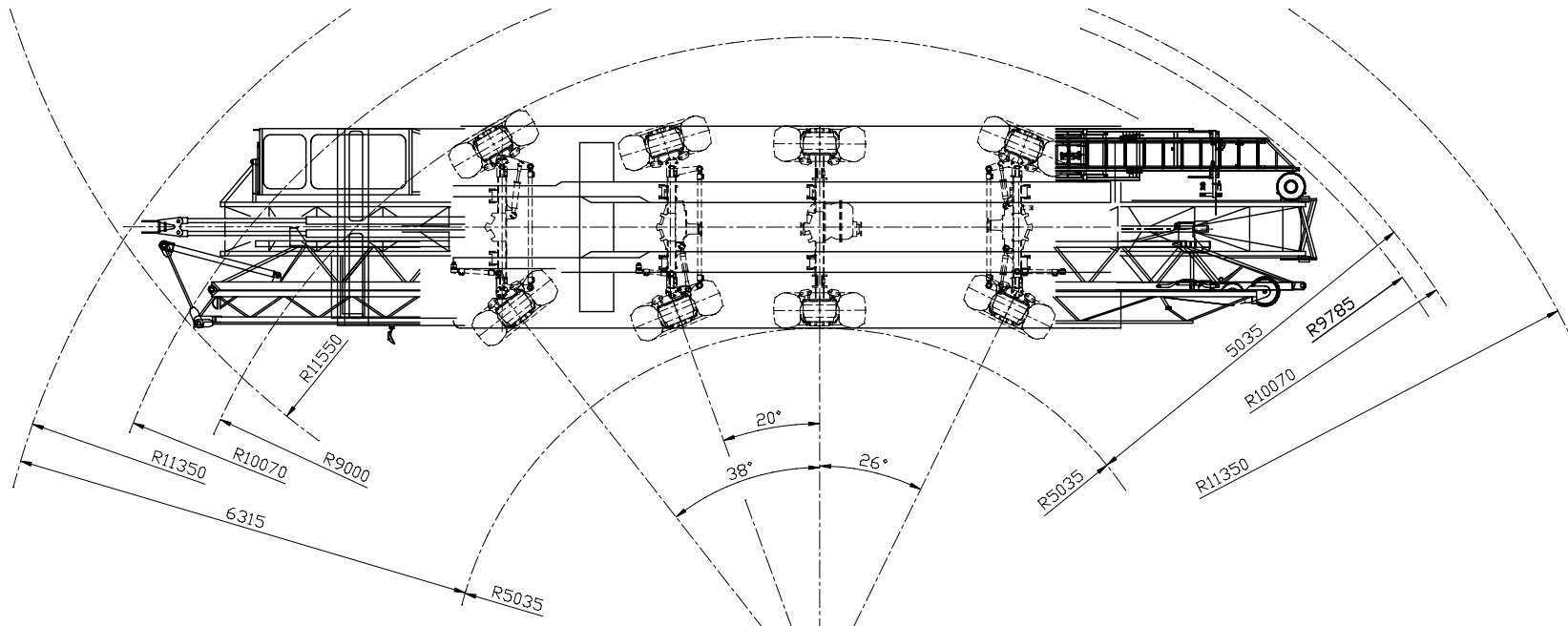
**LIFTING CHART outrigger support base 6,925 m x 6,85 m up to wind force 8 on the Beaufort scale (17 m/sec)**



**LIFTING CHART outrigger support base 6,925 m x 5,15 m up to wind force 8 on the Beaufort scale (17 m/sec)**



Specifications subject to change



# SPIERINGS HYDRAULIC FOLDING CRANE

## SK 498 - AT4



Merwedestraat 15  
 5347 KZ Oss NL  
 Tel. +31 (0)412-626964  
 Fax +31 (0)412-645299  
[www.spieringscranes.com](http://www.spieringscranes.com)

Overall weight: 48000 kg

Specifications subject to change

83-00498102

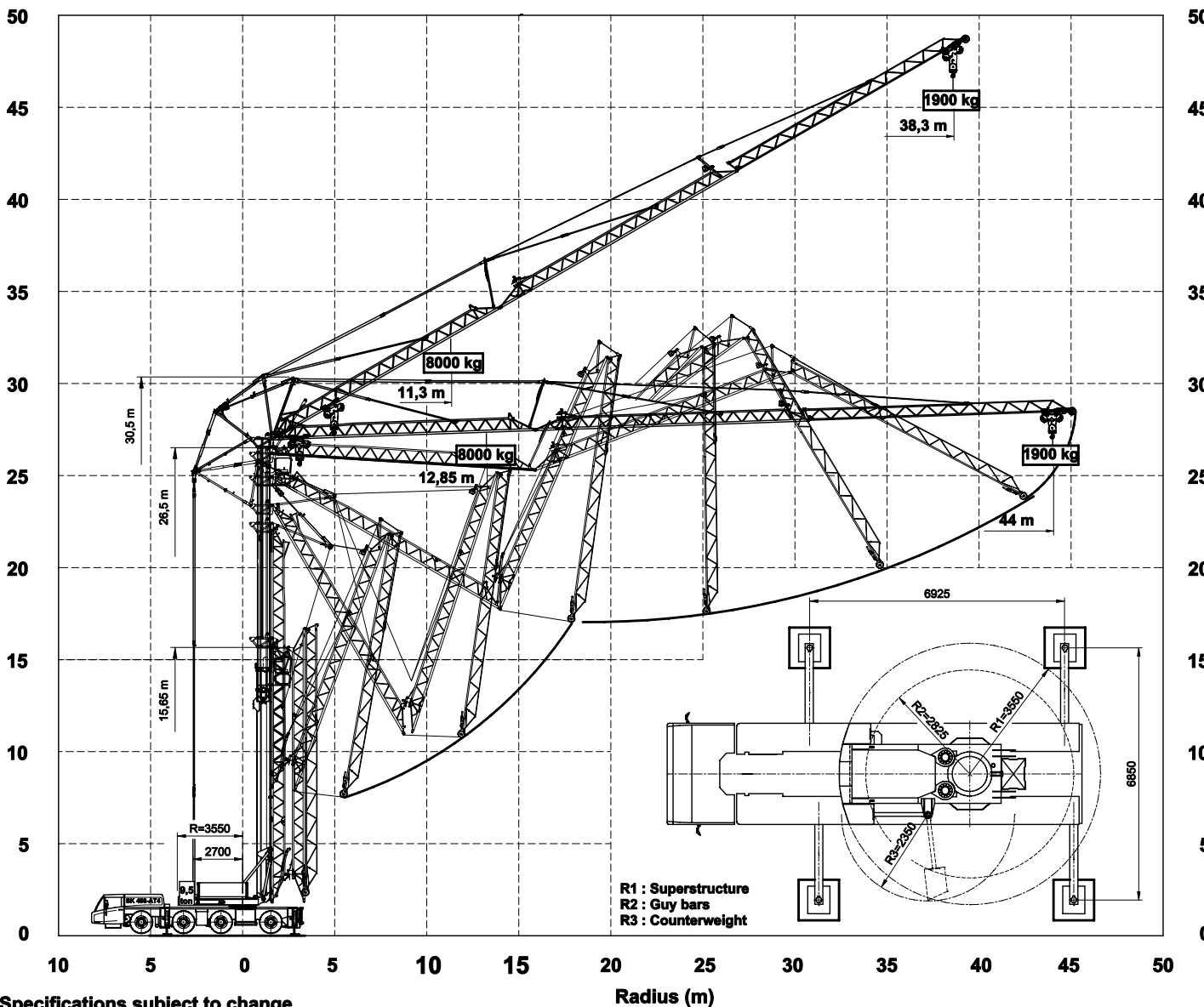
# SPIERINGS HYDRAULIC FOLDING CRANE SK498-AT4

498xxx

## Erection procedure of the crane

Max. outrigger force : 360 kN  
 Outrigger support pads : 750x600 mm  
 Ground pressure : 0,80 N/mm<sup>2</sup>  
 Jib can be unfolded through 360°  
 Luffing the Jib 30° can be controlled from  
 the crane cab or remote control

Outrigger support plates : 1100x1100 mm  
 surface : 1,21 m<sup>2</sup>  
 Ground pressure : 0,30 N/mm<sup>2</sup>



Merwedestraat 15  
 5347 KZ Oss NL  
 Tel. +31 (0)412-626964  
 Fax +31 (0)412-645299  
[www.spieringscranes.com](http://www.spieringscranes.com)

83-00498103

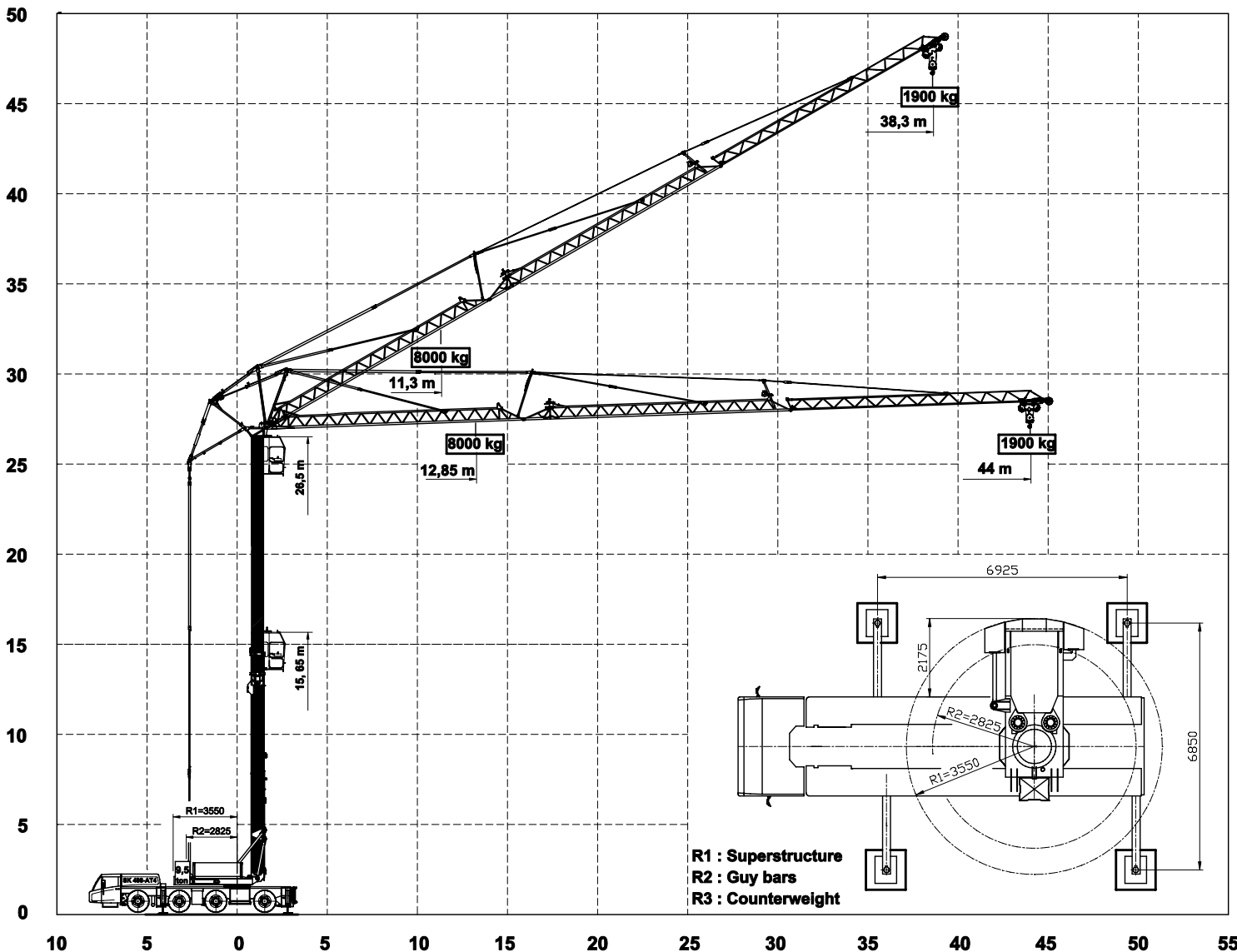
**SPIERINGS**  
**HYDRAULIC FOLDING CRANE**  
**SK 498 - AT4**

498xxx

**Hoisting Specifications**  
**Outrigger support base**  
**6,925 m x 6,85 m**

Hook height (m)

Radius (m)



- R1 : Superstructure
- R2 : Guy bars
- R3 : Counterweight

**SPIERINGS**  
**MOBILE CRANES**

Merwedestraat 15  
 5347 KZ Oss NL  
 Tel. +31 (0)412-626964  
 Fax +31 (0)412-645299  
[www.spieringscranes.com](http://www.spieringscranes.com)

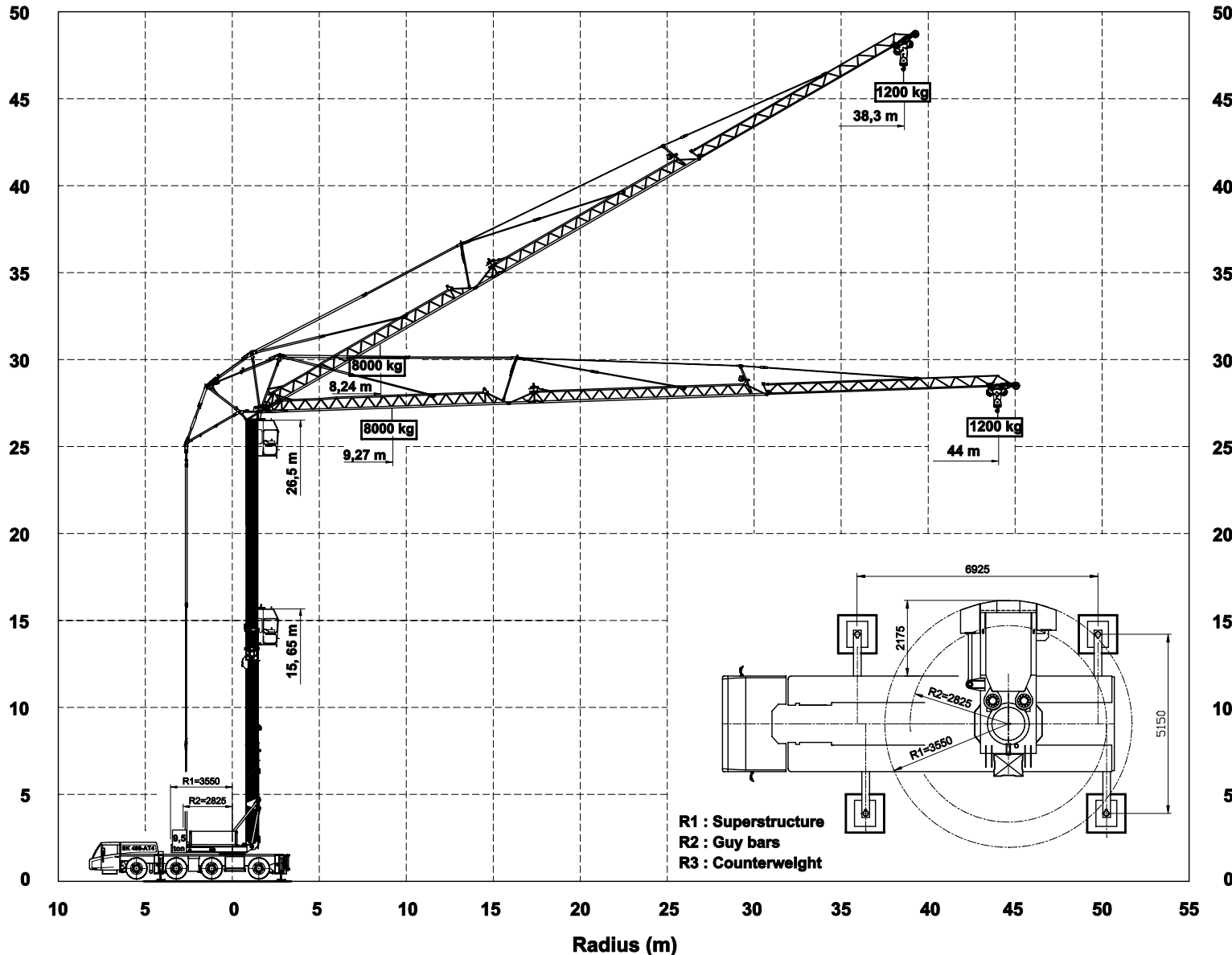
83-00498104

Specifications subject to change

**SPIERINGS**  
**HYDRAULIC FOLDING CRANE**  
**SK 498 - AT4**

498xxx

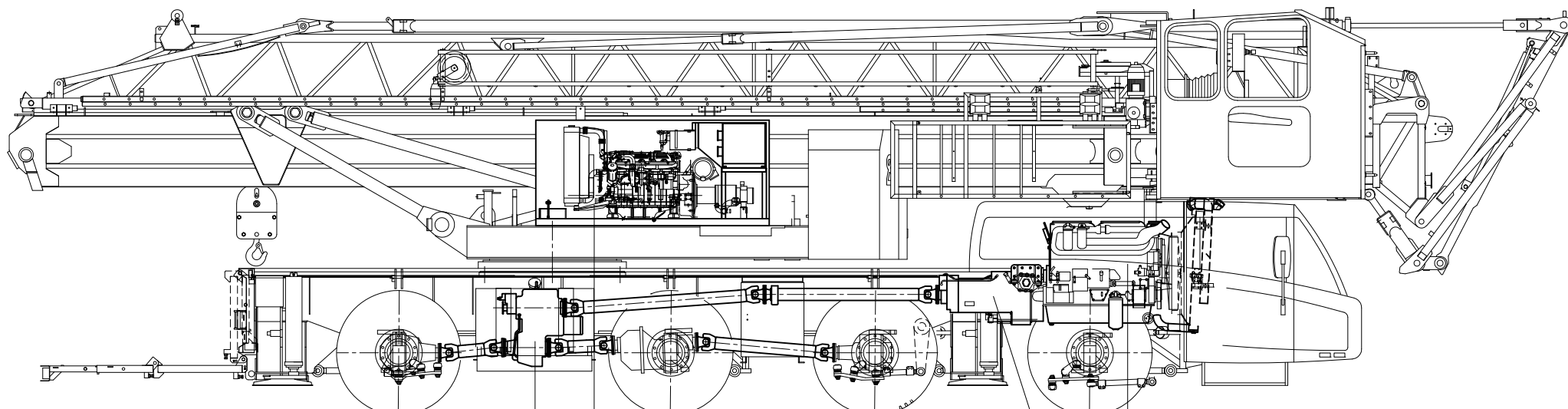
**Hoisting Specifications**  
**Outrigger support base**  
**6,925 m x 5,15 m**



**SPIERINGS**  
**MOBILE CRANES**

Merwedestraat 15  
 5347 KZ Oss NL  
 Tel. +31 (0)412-626964  
 Fax +31 (0)412-645299  
 www.spieringscranes.com

83-00498105



Axle 4

Axle 3

Axle 2

Axle 1

Transferbox  
 STEYR VG2001/396  
 Road gear  $i=0,89$   
 Off road gear  $i=1,54$

Superstructure:  
 John Deere: 4045HF285-T3  
 Power: 104 kW (2400 rpm)  
 Torque: 387 Nm (1500 rpm)

Gearbox:  
 ZF 12AS2300  
 Automatic  
 + Intarder

Carrier Diesel Engine :  
 Euro IV  
 DAF: MX 300 (12,9 ltr)  
 Power: 300 kW (1900 rpm)  
 Torque: 2050 Nm (1500 rpm)

Axle 1 :Steer axle

Axle 2 :Steer axle, driven (end reduction  $i=7,29$ )

Axle 3 :Driven (end reduction  $i=7,29$ )

Axle 4 :Steer axle, driven (end reduction  $i=7,29$ )

Tyres

Suspension: hydro-pneumatic on all axles, stroke cyl.

Max. speed carrier

Min. speed carrier (diesel engine 1000 rpm)

Overall weight

: 445/75 R22,5

: 247 mm

: 82 km/h

: 1,6 km/h

: 48.000 kg.

## DRIVE TRAIN SPIERINGS FOLDING CRANE SK498-AT4

 **SPIERINGS**  
 MOBILE CRANES

Merwedestraat 15  
 5347 KZ Oss NL  
 Tel. +31 (0)412-626964  
 Fax +31 (0)412-645299  
[www.spieringscranes.com](http://www.spieringscranes.com)

83-00498106A

# SPIERINGS

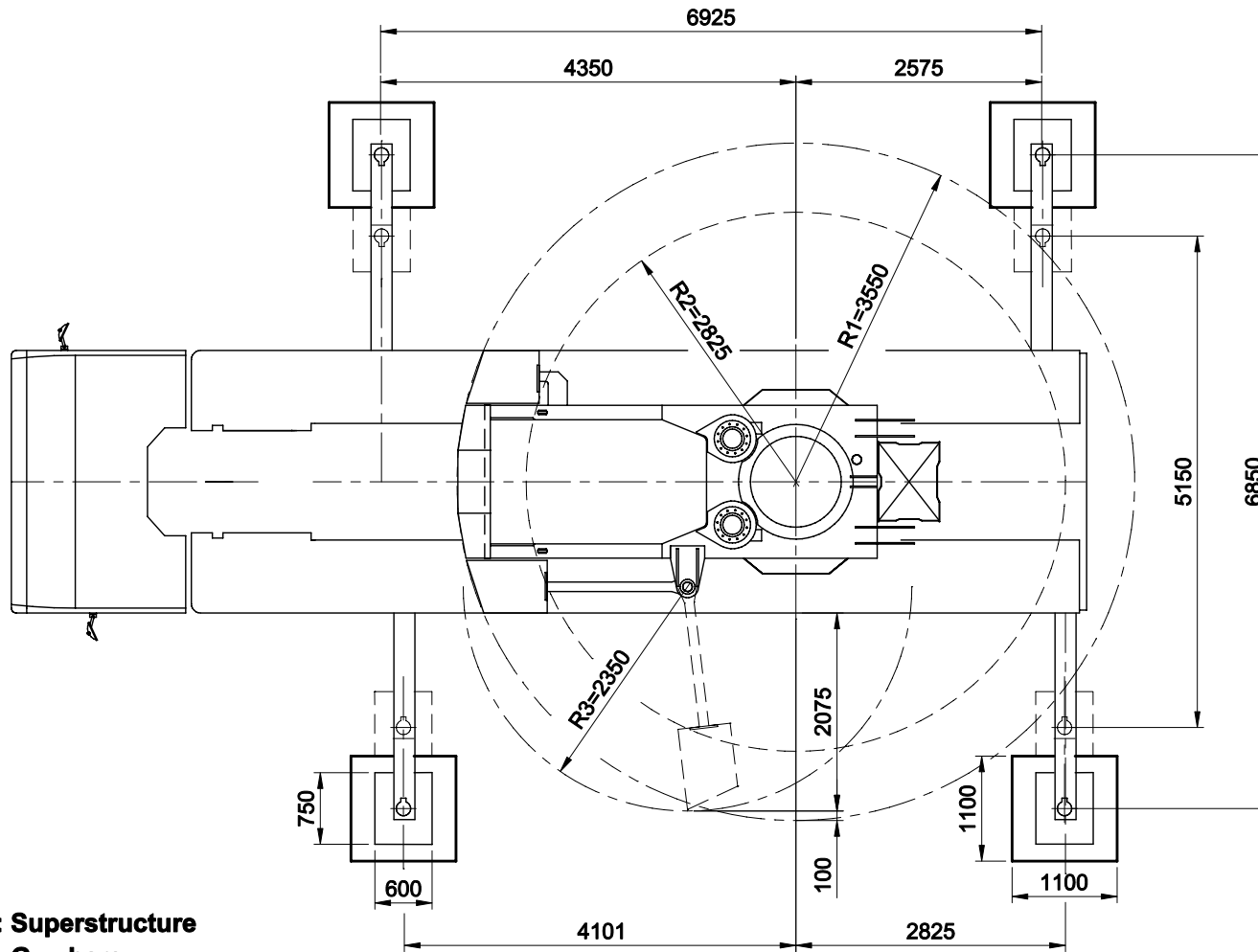
## HYDRAULIC FOLDING CRANE

### SK 498 - AT4

498xxx

#### Overzicht afstempeling

Max. outrigger force	360 kN
Outrigger support pads	750x600 mm
Ground pressure	0,80 N/mm <sup>2</sup>
Outrigger support plates	1100x1100 mm
Surface	1,21 m <sup>2</sup>
Ground pressure	0,30 N/mm <sup>2</sup>



**R1 : Superstructure**  
**R2 : Guy bars**  
**R3 : Counterweight**

**SPIERINGS**  
**MOBILE CRANES**

Merwedestraat 15  
 5347 KZ Oss NL  
 Tel. +31 (0)412-626964  
 Fax +31 (0)412-645299  
[www.spieringscranes.com](http://www.spieringscranes.com)

83-00498107